

## Our Service Network :

- Service Locations : • Delhi NCR • Haryana • Punjab • Himachal Pradesh  
• Rajasthan • Uttrakhand • Uttar Pradesh  
• Madhya Pradesh • Gujrat • West Bengal • Jharkhand  
• Pune • Chennai



**M&E MARKS**  
ENGINEERING PVT. LTD.



- 📍 A-1/222-A, Hastal Road, Uttam Nagar, New Delhi-110059  
☎ 09818317320, 8527497994  
✉ info@marksengg.com | marks.del@gmail.com

 [www.marksengg.in](http://www.marksengg.in)

**M&E MARKS**  
ENGINEERING PVT. LTD.

## MARKMATE PNEUMATIC



INTELLIGENT MARKING SOLUTIONS

[www.marksengg.in](http://www.marksengg.in)

- Single Marking System for all Requirements
- Quietly, Fast, Efficient Marking
- Stand-Alone or Integrated
- Wide Range of Options
- 2D DataMatrix Code Marking



INTELLIGENT MARKING SOLUTIONS

# Markmate Pneumatic

## Extremely User Friendly Machine

Highly configurable, fully programmable dot marking machine for use in all industrial environments where the highest build quality and technical functionality are required for the most demanding applications.

### Technology

The Markmate Pneumatic Marking System is the flagship dot marking product in the Marks Pryor range. Fully programmable, highly configurable the Markmate Pneumatic is able to cope with any industrial dot marking application by virtue of its robust modular construction. The configuration options simply mean the Markmate Pneumatic can be built to meet a single or range of marking applications depending upon the users' specific requirements. The class leading software ensures the system is easy to use.

Unique head design guarantees the system is tough to last while operating in the most hostile of industrial environments. The modular construction ensures upgrade paths are available to help future proof any system purchased.

### Single Marking System for all Requirements

High Flexibility suits most marking applications from a single programmable system. Two different marking windows are available as standard options : 50mm x 50mm, 100mm x 100mm and 150mm x 150mm to ensure the head is matched to the exact marking requirements. Variable force control to ensure optimum mark depth for all engineering materials up to 62 R<sub>c</sub>(800 H<sub>v</sub>).

### Quiet, Fast, Efficient Marking

Requiring compressed air supply and powered by a standard 240 volt (110 volt available) electric source, the Markmate Pneumatic is both highly efficient.

Highly Configurable

Easy to Use

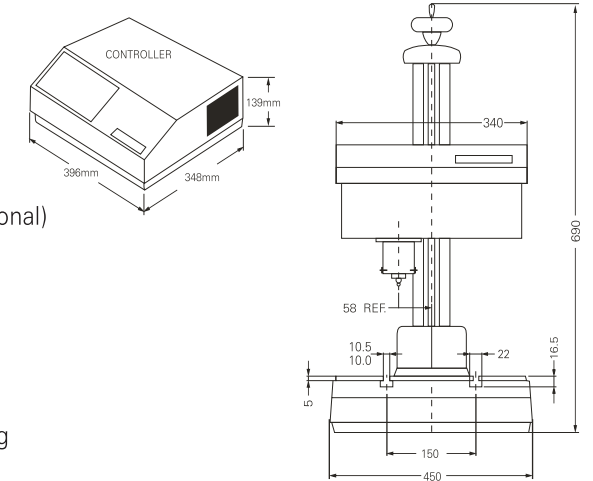
Quiet, Fast,  
Efficient Marking

Stand Alone  
or Integrated

Wide Range  
of Options

## Technical Specifications

- Weight: Marking head/table/column : 32kg
- Electrical Supply: 240v 50hz, 110v 60hz
- Marking Area: 100mm x 100mm  
(50mm x 50mm, 150mm x 150mm optional)
- Memory Capacity: Up to 1350 inscription layouts
- Stylus: 4mm x 70mm ( 55mm, 100mm & 160mm length optional)
- Controller: Embedded LCD type
- Keyboard: PS2 type, 'mini' keyboard optional
- X, Y Axis Control: Steppermotor driven
- Start/Stop Box: Twin button on manual
- Marking Format: Dot Matrix 5 x 7, 7 x 9, Varidot, 2D Data Matrix coding



### Stand Alone or Integrated

The separate controller protects the electronics from the mechanical shock loading generated in the marking head and the large high contrast LCD screen gives users clear control over the marking operation without the need for a separate PC. The controller also provides connectivity options through RS232 serial and digital I/O ports.

### Wide Range of Options

Hardware, software and after sales options ensure the Markmate Pneumatic meets your exact needs.

### 2D Data Marix Code Marking

The Markmate Pneumatic meets rigorous demands of 2D Data Matrix Code Marking.

### Stylus Options

55, 100, 160mm lengths available. Solid Carbide, sharp point and mini-stress tipped styli available on request. Customised variations available on request.

### Coding and Vision Systems

2D coding and vision reading system solutions are available.

### Customised Solutions

We have extensive mechanical and software design resource dedicated to the provision of customer specified marking solutions designed to order. Marks Pryor will manage the entire project from product selection and trialling through to installation, commissioning and training.

### Customised Work Stations for

- Chassis
- Crank Shafts
- Connecting Rods
- MB Cap
- Crank Case
- Gears
- Batteries
- Flanges
- Pistons
- Cylinders
- Pump Body
- Graduations
- Frames
- & Many More .....